

**AEROSPACE
INNOVATIONS**



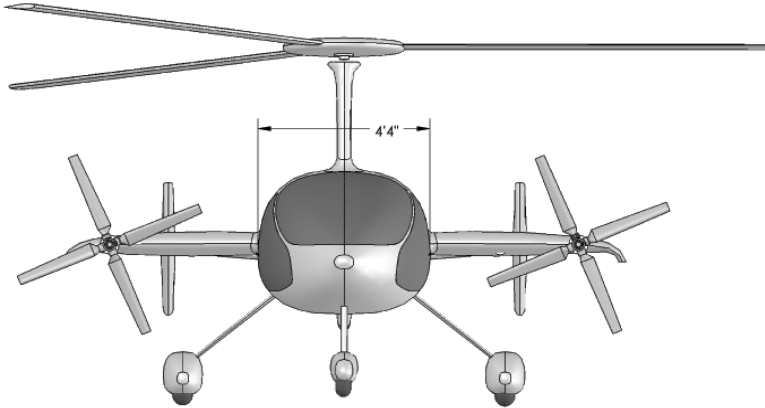
SHOCKWAVE

UAV 2-4 Passengers



SHOCKWAVE UAV

Projected Specifications and Dimensions



Weight:

Empty Weight	1200 lbs/544kg
Gross Weight	2550 lbs/1157kg
Useful load	1300 lbs/590kg
Fuel (73 gal)	493 lbs

Power Plants:

Turbine/Auto conversion engine 250 to 300 HP
(engine type depending on model)

Performance:

Maximum (vne)	180 mph
Cruise Speed	140 mph
Range	300-600 miles
Rate of climb	1,000 + fpm
Max Operating Altitude	27,000 feet

Shockwave was designed to operate in two environments.

As a UAV, Shockwave can operate as a surveillance air vehicle. Four (4) infra-red cameras are installed within the fuselage and with weather and darkness removed this infra-red system provides a true operator's eye view of the surrounding area. Shockwave then is able to pierce the cover of darkness and produce and transmit images in any environment.

As an immediate search and rescue response vehicle, Shockwave can be remotely flown into any hot zone or dense area and has the capacity of picking up two downed personnel or ground troops without risking additional personnel.

With the ability to serve in multi-function roles, Shockwave is sure to become an *invaluable* tool for many operations.

